

SPACER NUT PA6



This polyamide spacer nut is designed to be used with polyamide spacer (2-411-02) mounted at Industrilas 35 mm compression latches (see related products). The use of this spacer nut and spacer increase the thermal insulation at HVAC doors. Designed for doors with panel thickness 45-47 mm, depending on thickness of metal sheets.

Recommended tightening torque: 5,0 Nm.

VDI
6022

MATERIAL

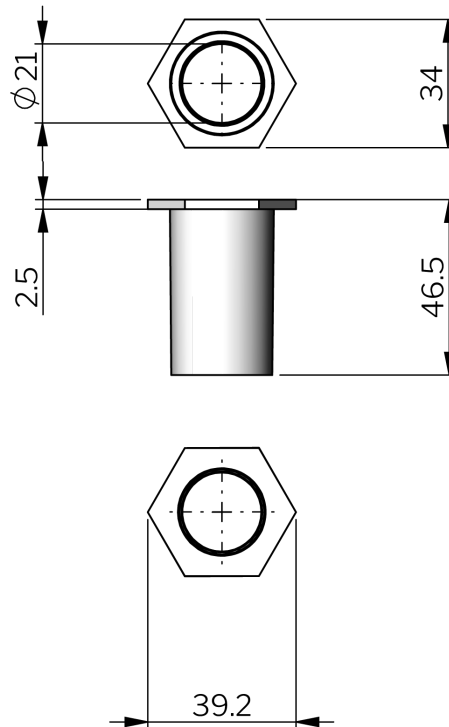
Spacer nut: Glass fibre reinforced polyamide (PA6GF30)

RELATED PRODUCTS

Needed components for a complete system:

2-135, 2-136, 6-135, 6-136, 2-411-02

Use the Index Code at industrilas.com



Industrilas
— When access counts —