

# 3D-INTELLICLAMP

## MULTIFUNCTIONAL CONNECTOR



3D multifunctional connector mounted inside of two units that will align both the units themselves and the two units in X-, Y- and Z-axis in relation to each other. Each half of the 3D-Intelliclamp multifunctional connector stabilize the separate units in 90° angle when mounted in the frame corners, and when connected to each other by tightening the connecting part the separate units are secured and aligned in all three dimensions in relation to each other. This patent pending solution do not only offer a perfect alignment and connection of your units, but it's also concealed and hidden on the inside creating a fabulous looking set of separate units coming together as one.

VDI  
6022

### MATERIAL

**Cover:** Glass fibre reinforced polyamide PA6 (PA6GF30)

**Interlocking parts:** Zinc die cast, black texture powder coated or zinc plated

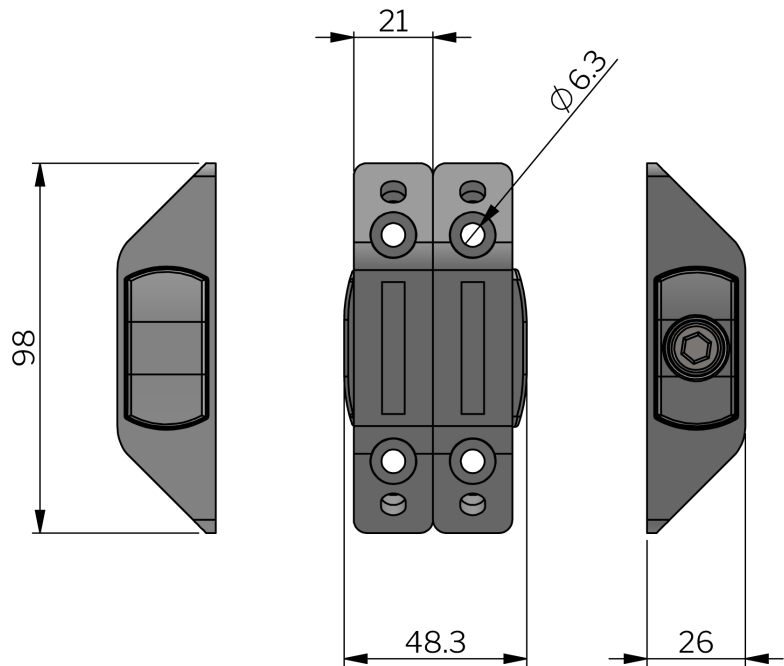
**Nut:** Stål, förzinkad

**Skruv:** Stål, förzinkad

### RELATERADE PRODUKTER

**Liknande produkter:** 5-400, 5-401

Use the Index Code at [industrilas.com](http://industrilas.com)



**Industrilas**  
— When access counts —

Artikelnummer	Ytbehandling
271140-01	Zinc plated
271640-01	Svartlackerad zink