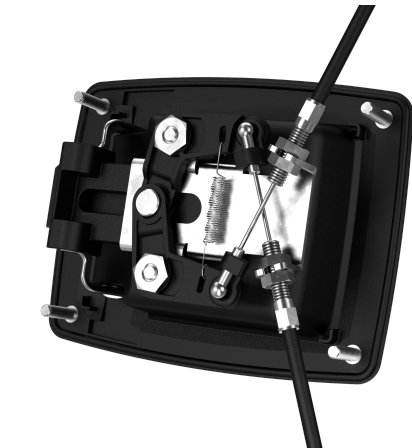


# VECTOR P ACTUATOR

Vector P actuator is a patented heavy-duty, vibration-resistant handle that has been designed for on- and off-road vehicles. The Vector P actuator handle is used to maneuver one or two Vector rotary latches, or Vector Latch points connected with Vector cables between Actuator handle and latch point(s).

It is available with left, right or universal grip handle and is installed with a mounting bracket or four moulded-in M5 bolts. IP66 water- and dust sealing.



## MATERIAL

### Adapter for cylinder (internal component):

Glass fibre reinforced polyamide (PA6GF30)

**Body:** Glass fibre reinforced polyamide (PA6GF30)

**Fäste:** Stål, förzinkad

**Cast-in bolts:** Stål, förzinkad

**Cylinder:** Zinc die cast, stainless steel 304 cap and dust shutter

**Gaskets:** Polyurethane

**Manoeuvre arms:** Zinc die cast, zinc plated

**Mounting bracket:** Stål, förzinkad

**Nut:** Stål, förzinkad

## RELATERADE PRODUKTER

### Needed components for a complete system:

2-750-01, 2-750-02, 2-750-03, 2-750-04, 2-750-07, 2-745, 2-749-01, 2-749-02, 2-749-03, 2-749-04

**Tillbehör:** 2-412

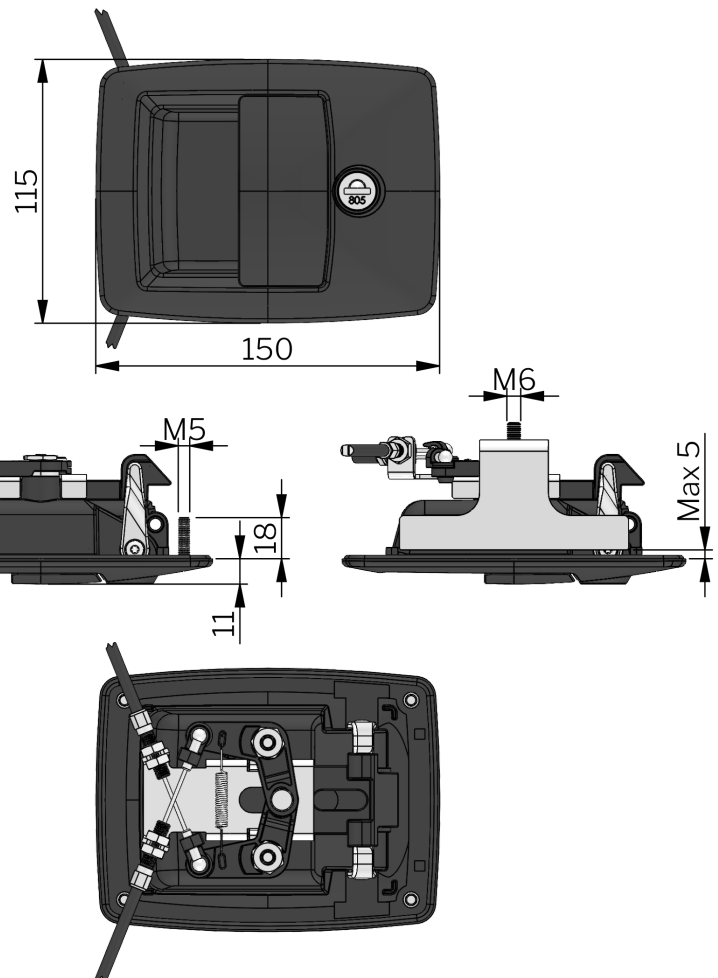
Use the Index Code at [industrilas.com](http://industrilas.com)

## TESTS & STANDARDS

The tightening torque of the two nuts for the mounting bracket is 3,0 Nm. The tightening torque of the four nuts for the mould-in bolts is 2,2 Nm. It is important that the four holes made in the cut out for the mould-in bolts are within tolerance, to avoid damage when tightening the M5 nuts.

**Standarder:** IP66, DIN EN 61373

**Cylinder information:** Cylinder with other key codes on request, Supplied with two keys



**Industrilas**  
— When access counts —

**Make your selections in each column to create your article number (AAAA-BBCDDE-FFGG)**

AAAA Typ	BB Handtag	Material	C Montering	DD Latch version	E Typ	FF Cylinder	GG Tillbehör
2800 Paddle latch	00 Universell	Plastic	1 Ingjutna bultar	06 Actuator for cables	0 Standard	01 Likalåsande 805	00 No accessory
	01 Universell	Zinc, chrome	2 Mounting bracket			02 Likalåsande 455	
	02 Universell	Zink, svart				03 Oliklåsande	
	10 Vänster	Plastic				06 Likalåsande CH751	
	20 Höger	Plastic				69 Likalåsande 810	
						70 Likalåsande 815	
						71 Likalåsande 820	
						72 Likalåsande 825	
						73 Likalåsande 830	
						74 Likalåsande 835	
						75 Likalåsande 840	
						76 Likalåsande 845	
						77 Likalåsande 850	

