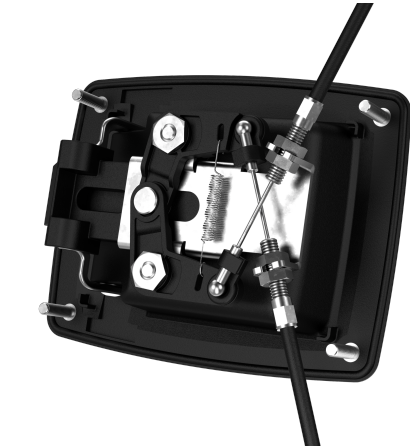


VECTOR P ACTUATOR

Vector P actuator is a patented heavy-duty, vibration-resistant handle that has been designed for on- and off-road vehicles. The Vector P actuator handle is used to maneuver one or two Vector rotary latches, or Vector Latch points connected with Vector cables between Actuator handle and latch point(s).

It is available with left, right or universal grip handle and is installed with a mounting bracket or four moulded-in M5 bolts. IP66 water- and dust sealing.



MATERIAL

Adapter for cylinder (internal component):

Polyamid glasfaserverstärkt (PA6GF30)

Mulde: Zinc die cast, black or silver texture powder coated

Halter: Zinkdruckguss, verzinkt oder mit schwarzem Strukturlack pulverbeschichtet

Eingegossene Bolzen: Stahl, verzinkt

Cylinder: Brass, nickel plated in matt finish

Gaskets: Polyurethane

Manoeuvre arms: Zinkdruckguss, verzinkt

Klemmbrücke: Stahl, verzinkt

Mutter: Zinc die cast, chrome

ÄHNLICHE PRODUKTE

Needed components for a complete system:

2-750-01, 2-750-02, 2-750-03, 2-750-04, 2-750-07, 2-745, 2-749-01, 2-749-02, 2-749-03, 2-749-04

Zubehör: 2-412

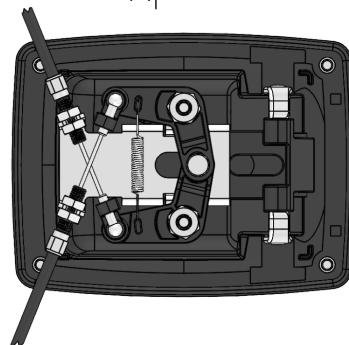
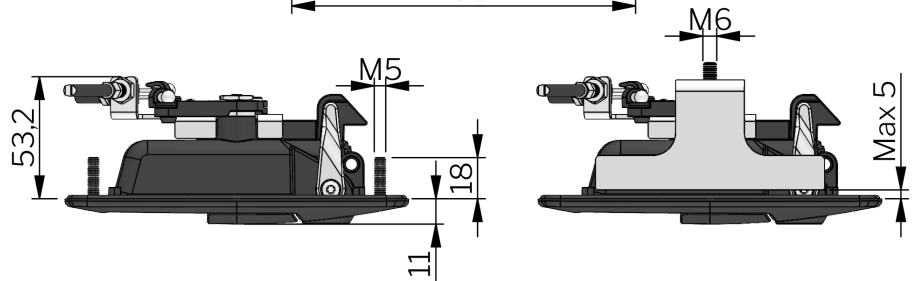
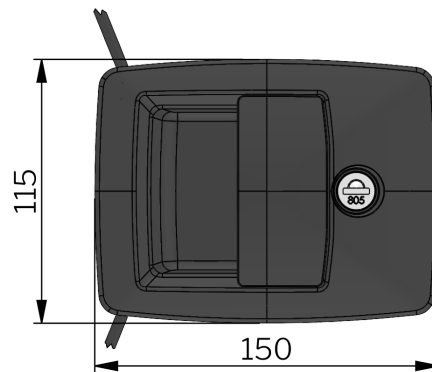
Use the Index Code at industrilas.com

TESTS & STANDARDS

The tightening torque of the two nuts for the mounting bracket is 3,0 Nm. The tightening torque of the four nuts for the mould-in bolts is 2,2 Nm. It is important that the four holes made in the cut out for the mould-in bolts are within tolerance, to avoid damage when tightening the M5 nuts.

Normen: IP66, DIN EN 61373

Zylinder information: Lieferung erfolgt mit 2 Schlüsseln, Cylinder with other key codes on request



Industrilas
— When access counts —

A product number is created by combining the figures in each column (AAAA-BBCDDE-FFGG)

AAAA	Type	BB	Griff	Material	C	Befestigung	DD	Latch version	E	Type	FF	Cylinder	GG	Accessories
2800	Paddle latch	00	Universell Li / Re	Plastic	1	Mould-in bolts	06	Actuator for cables	0	Standard	01	Gleichschließend 805	00	No accessory
		01	Universell Li / Re	Zinc, chrome	2	Klemmbrücke					02	Gleichschließend 455		
		02	Universell Li / Re	Zinc, black							03	Verschiedenschließend		
		10	Links	Plastic							06	Gleichschließend CH751		
		20	Recht	Plastic							69	Keyed alike 810		
											70	Keyed alike 815		
											71	Keyed alike 820		
											72	Keyed alike 825		
											73	Keyed alike 830		
											74	Keyed alike 835		
											75	Keyed alike 840		
											76	Keyed alike 845		
											77	Keyed alike 850		

