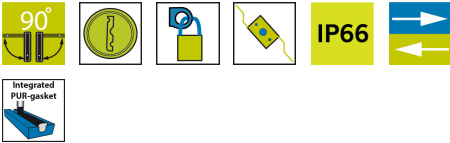


# VISION SWING HANDLE STANDARD WITH CYLINDER



Low profile swing handle with cylinder lock for control mechanism. Supplied with two keys. Available in push-to-latch version where the spring-loaded cam latches when the handle is pushed in.



## MATERIAL

**Cylinder:** Zinc die cast, stainless steel 304 cap and dust shutter

**Handle:** Zinc die cast, black coated or fibre glass reinforced polyamide (PA6GF30)

**Padlock loop:** Stainless steel 304

**Pivot shaft:** Zinc die cast, zinc plated

## RELATED PRODUCTS

**Similar products:** 1-002.11

**Rod latch systems:** 1-008.25, 1-008.21, 1-008.04, 1-008.07

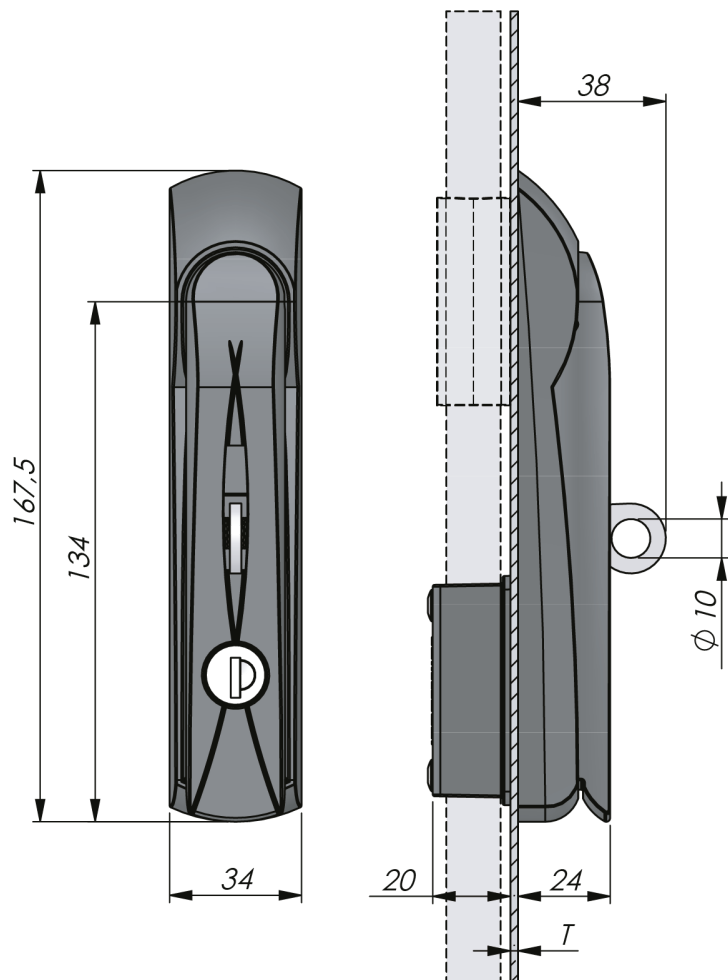
Use the Index Code at [industrilas.com](http://industrilas.com)

## TECHNICAL INFORMATION

**Cutout:** Version C

**Cylinder information:** Master key system on request

**Standards:** IP66, NEMA 4



**Industrilas**  
— When access counts —

**Make your selections in each column to create your article number (AAAAAAABC-DDDD)**

AAAAAAA	Material	B Door thickness T	C PDL	DDDD	Cylinder
1216118	Handle zinc / dish PA6	1 0,8 - 1,5 mm	0 No	C21S	Keyed alike IL101
1216418	Handle zinc / dish zinc	2 1,6 - 2,5 mm	1 Yes	C22S	Keyed to differ *
1250118	Handle PA6 / dish PA6	3 2,6 - 3,5 mm		C23S	Keyed alike IL0333
				500S	No cylinder - blind plug

PDL = Spring loaded padlock loop retracts when handle is released.

Version C

