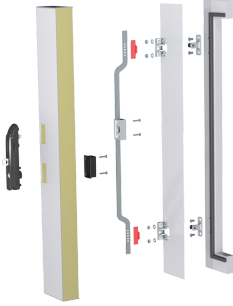


VISION OUTSIDE INSULATED



Vision Outside Insulated - the specially adapted version for designs in Telecom, HVAC-applications and similar where insulated or double skinned doors are used.

Vision Outside Insulated is specially developed for your electric enclosures that need to keep valuable electronics in a climate controlled environment under a fixed temperature. Used with insulated doors to maintain a temperature controlled climate inside the enclosure, protecting the electronics.



MATERIAL

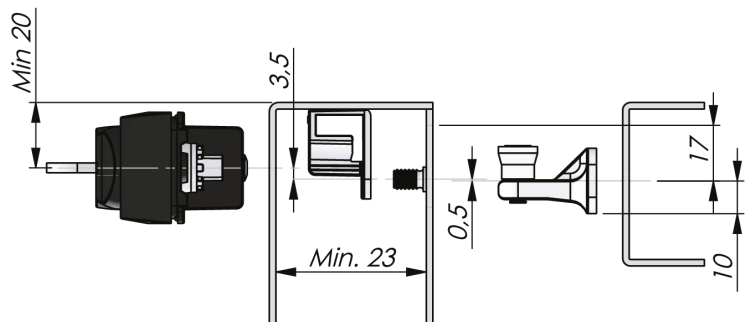
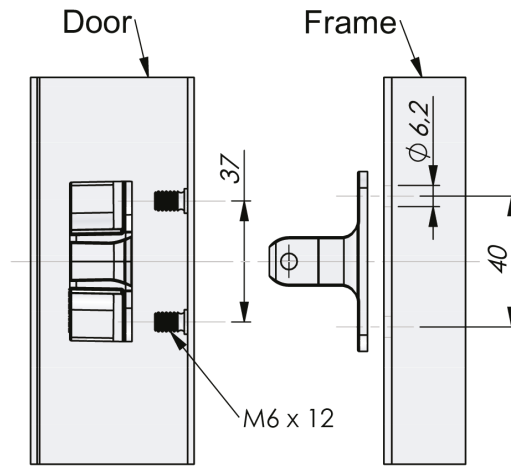
Control mechanism: Zinc die cast, zinc plated, special surface treatment (passes 30 day salt-spray test according to ISO 9227, equivalent to ASTM B 117) or glass fibre reinforced polyamide (PA6GF30)

Rod: Steel, zinc plated or stainless steel 316

RELATED PRODUCTS

Handles: 1-002.02, 1-005.10, 1-006.50, 1-004.04, 1-004.05, 1-002.01, 6-010, 1-002.03, 1-004.03, 1-006.01, 1-006.03, 1-007, 1-002.08

Use the Index Code at industrilas.com



P/N	Description	Material
131106-01	Latching point (door part + frame part)	Zinc die cast, zinc plated
131406-01	Latching point (door part + frame part)	Zinc with surface treatment "Highlander"
13210600-XXXX-YY	Flat rod. XXXX and YY are in mm*	Steel, zinc plated
135006-01	Latching point (door part + frame part)	Glass fibre reinforced polyamide (PA6GF30)
13900600-XXXX-YY	Flat rod. XXXX and YY are in mm*	Stainless steel 316

Products marked with * are available on request only.