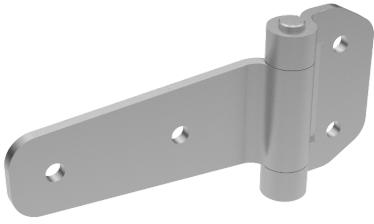


# EXTERNAL HEAVY-DUTY HINGE 180°



Heavy-duty rolled hinge for mounting with screws or rivets that is ideal for vehicles. The hinge-leaves are folded, designed for a flat surface mounting, and the four holes have a hole diameter of  $\varnothing 6,5$  mm. Opening angle 180°. The hinge pin is fixed.



**MATERIAL**

Hinge: Steel, zinc plated

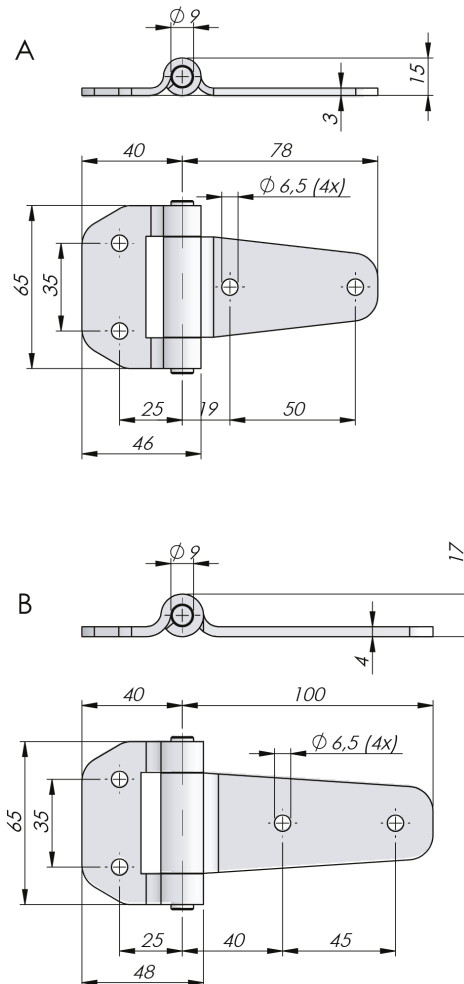
**RELATED PRODUCTS**

Other materials: 6-465

Use the Index Code at [industrilas.com](http://industrilas.com)

**TECHNICAL INFORMATION**

Standards: DIN EN 61373



P/N	Material	Drawing
322181-01	Steel, zinc plated	A
322181-02	Steel, zinc plated	B

