

# KLIMA-FLEX 1 ACID-PROOF LATCHING SYSTEM



These Klima-flex 1 latching systems provides a complete stainless steel latch and handle configuration. Handles and external exposed housing are always manufactured in acid-proof 316 material, available in non-locking or padlockable version. The latching units G40 and M are available in acid-proof stainless steel 316. The non-locking handle 269076-00 can be ordered separately and can be used with all Klima-flex 1 latching units. Padlockable acid-proof handle can only be ordered as a complete system according to P/N-structure 2690.



**Drawing A** = Non-locking latching unit (G40)

**Drawing B** = Padlocking latching unit (G40)

**Drawing C** = Non-locking latching unit (M)

**Drawing D** = Padlocking latching unit (M)

**MATERIAL**

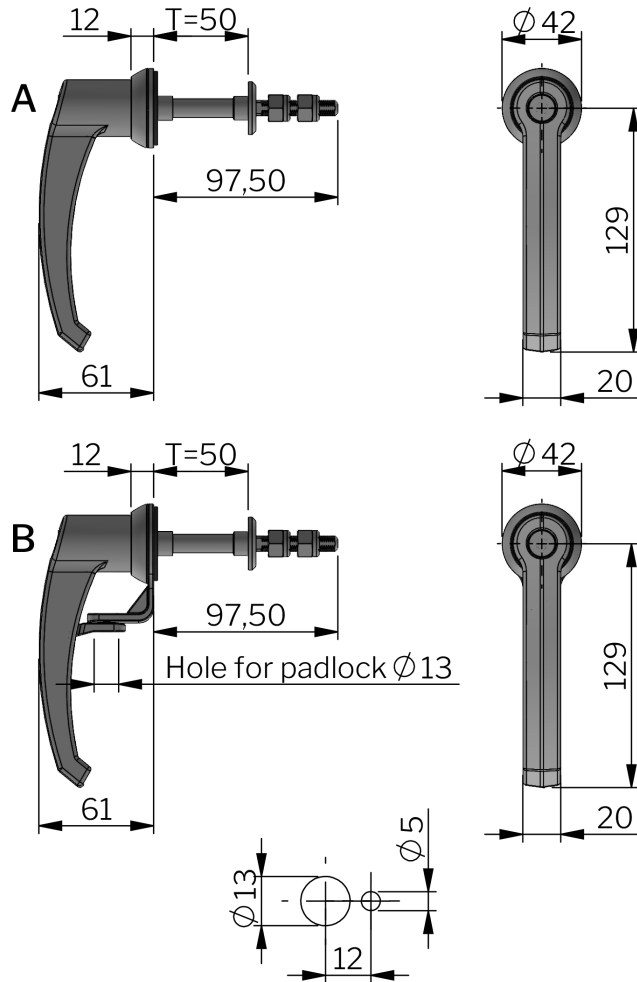
- Handle:** Stainless steel 316
- Housing:** Stainless steel 316
- Latching unit:** Stainless steel 316
- Nut:** Stainless steel 316
- Padlock loop:** Stainless steel 316
- Screw:** Stainless steel 316

**RELATED PRODUCTS**

- Roller cams:** 2-312cd
- Interlink rods:** 2-313a, 2-313b
- Handles:** 2-311ef, 2-312cd
- Use the Index Code at [industrilas.com](http://industrilas.com)

**TECHNICAL INFORMATION**

Standards: VDI 6022



**Make your selections in each column to create your article number (AAAA-BB-CD-EEE)**

AAAA Handle		BB Locking		C Latching unit		D Material insert and housing		EEE Panel thickness	
2690	SS 316	00	Non-locking	G	G40	9	SS 316	025	25 mm
		60	Padlockable	M	M			050	50 mm
								075	75 mm
								100	100 mm

