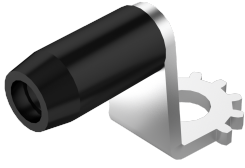


VISION INSIDE ROLLER CAM



Vision Inside latching system is mounted inside the sealed area and provides smooth compression and latching. IP65 when used with a Vision Swing Handle. Multiple latching points for adequate sealing in tall applications.

Control mechanism can be equipped with additional standard cam together with adapter for centre latching point. Control mechanism delivered assembled with flat rod. Latching points ordered separately.

System with more than four latching points is available.



MATERIAL

Cam: Steel, zinc plated

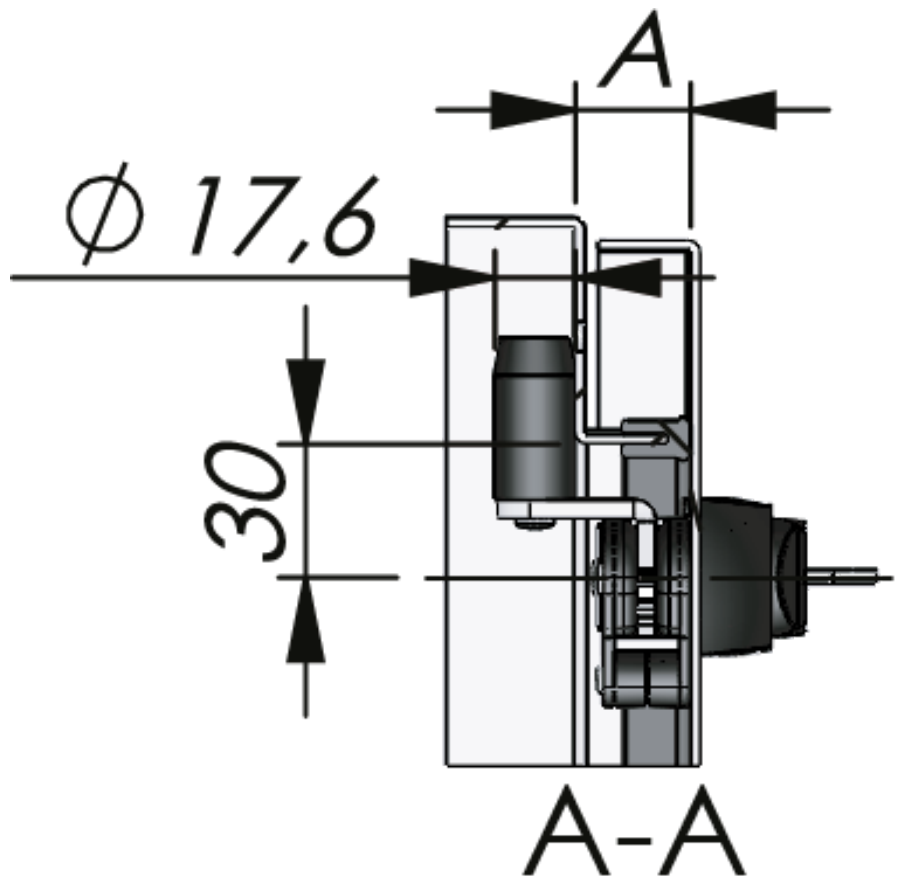
Roller: Glass fibre reinforced polyamide (PA6GF30)

RELATED PRODUCTS

Needed components for a complete system:

1-008.13

Use the Index Code at industrilas.com



Industrilas
— When access counts —

P/N	Description	Material
132110-AA52	Roller cam	Zinc die cast, zinc plated
139010-AA52	Roller cam	Zinc with surface treatment "Highlander"