



## VISION OUTSIDE CLASSIC LATCH POINT

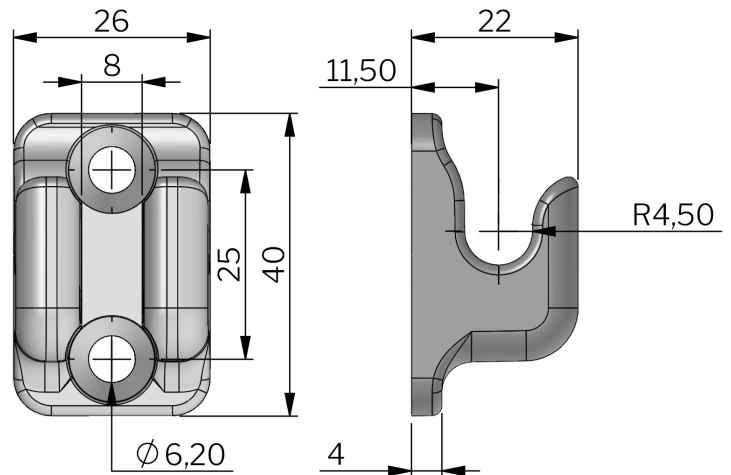
The system is mounted outside the sealing area. When the swing handle is turned to close, the upper flat rod is moving upwards and the lower rod downwards.

Control mechanism with flat rod and rod guide ordered separately.



### MATERIAL

**Latch point:** Zinc die cast, zinc plated or special surface treatment\*



**Industrilas**  
— When access counts —

| P/N      | Material                                 |
|----------|--|
| 13110201 | Zinc die cast, zinc plated               |
| 13140201 | Zinc with surface treatment "Highlander" |