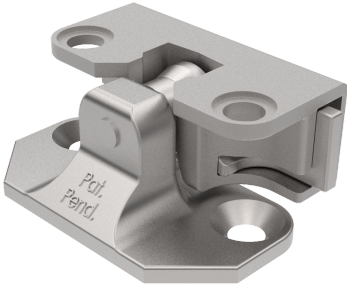


# VISION OUTSIDE LATCH POINT



Vision Outside latching system is mounted outside the sealed area.

Unique patented latching points align the door in all three dimensions and create a direct load transfer from door to frame (no load transfer via rods), assuring extremely good latching in vibrating and shaky environments. No shearing of the gasket due to door alignment prior gasket compression.

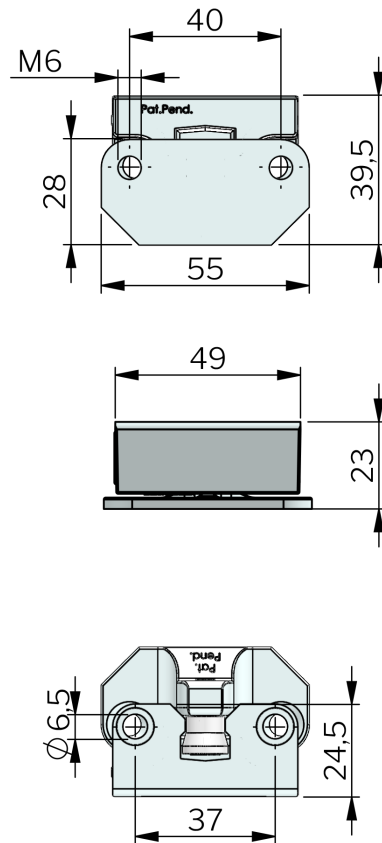
No shearing of the gasket due to door alignment prior gasket compression.



## MATERIAL

**Roller:** Brass, unplated or nickel plated

**Latch point:** Zinc die cast, zinc plated, special surface treatment (passes 30 day salt-spray test according to ISO 9227, equivalent to ASTM B 117) or glass fibre reinforced polyamide (PA6GF30)



P/N	Description	Material
131106	Latch point (door part + frame part)	Zinc die cast, zinc plated
131406	Latch point (door part + frame part)	Zinc with surface treatment "Highlander"
135006	Latch point (door part + frame part)	Glass fibre reinforced polyamide (PA6GF30)