

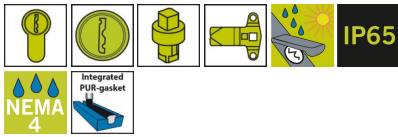
VISION LIFT HANDLE



The patent pending Vision Lift Handle operates all Vision™ latching systems. The handle is available with a push button, a tool operated insert, a round cylinder keyed to differ or keyed alike or prepared for a 40 mm profile cylinder or oval cylinder.

The handle is spring loaded and pops out when it is unlocked or the push button is pressed. Since the locking mechanism is not a part of the actual handle, it is very comfortable to operate.

Cylinders and inserts are covered by a sliding dust cover. IP65 waterproof according to NEMA 4.



MATERIAL

Dish: Glass fibre reinforced polyamide (PA6GF30)

Handle: Zinc die cast, black powder coated

Insert: Zinc die cast, chrome plated

Pivot shaft: Zinc die cast, zinc plated

RELATED PRODUCTS

Cylinders: 1-209, 1-210, 1-211

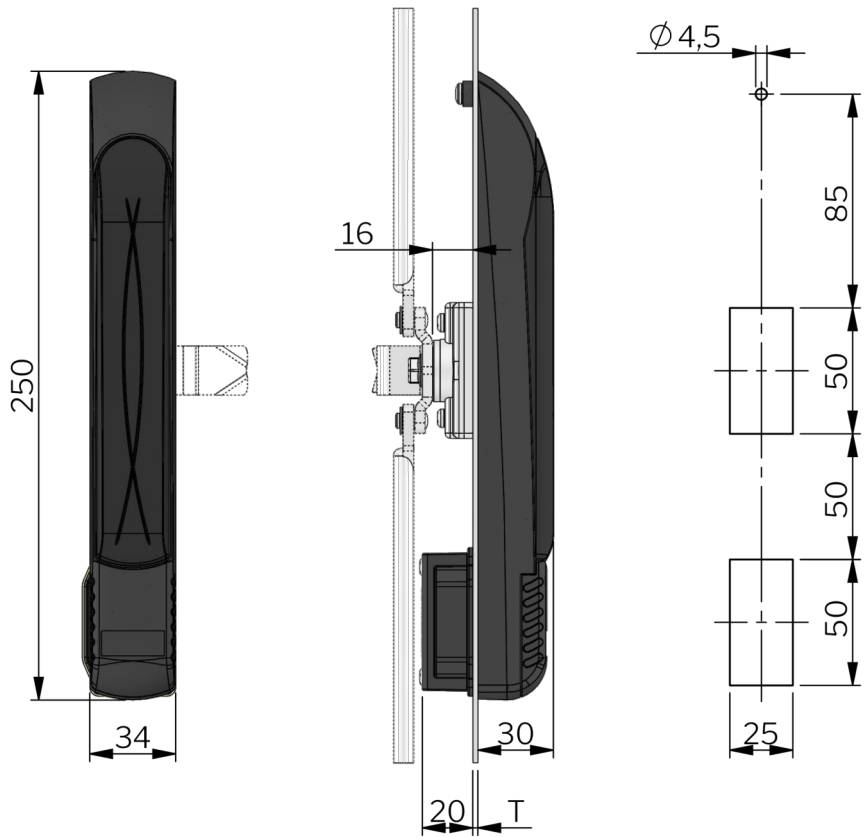
Rod latch systems: 1-008.04, 1-008.05, 1-008.13, 1-008.21, 1-008.25, 1-008.07

Use the Index Code at industrilas.com

TECHNICAL INFORMATION

The lift handle fits into a cut out similar to Version C, but with an additional $\varnothing 4,5$ mm hole on top. Suitable for door thickness 0,8-3,5 mm. When viewed from the outside, the right hinged version has a pivot shaft that rotates counter-clockwise when opening. The left hinged version rotates clock-wise when handle is opened.

Standards: IP65, NEMA 4



A product number is created by combining the figures in each column (AAAA-BBCDEF-GG)

AAAA Type		BB Insert / Cylinder	C Surface treatment insert	D Protection degree	Surface E treatment Handle	F Model	GG
1510	Flat rod system	01 Square 6	0 For cylinder and push-button versions	5 IP65	6 Black powder coated	0 For right hinged door	00
		03 Square 7				1 For left hinged door	
1511	Cam and round rod system	05 Square 8	2 Chrome plated 6 Black powder coated		9 Silver powder coated		
		07 Square 8 / slotted					
		11 Square 8 / Recessed					
		14 Triangle 7					
		15 Triangle 8					
		16 Triangle 10					
		22 Double bit 3					
		24 Double bit 5					
		26 Slotted					
		29 Slotted, Recessed					
		32 Hexagon 11					
		34 Recessed Hexagon 8					
		35 Recessed Hexagon 10					
		36 Recessed Hex 8 / 3 mm pin					
		80 Keyed to Differ					
		81 Keyed alike IL101					
		82 Keyed alike IL0333					
83 For Profile Cylinder							
84 For Oval Cylinder							
90 Push button							

