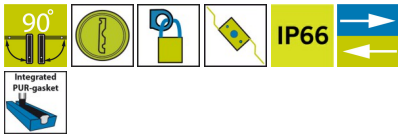


# VISION SWING HANDLE STANDARD WITH CYLINDER



Low profile swing handle with cylinder lock for control mechanism. Supplied with two keys. Available in push-to-latch version where the spring-loaded cam latches when the handle is pushed in.



## MATERIAL

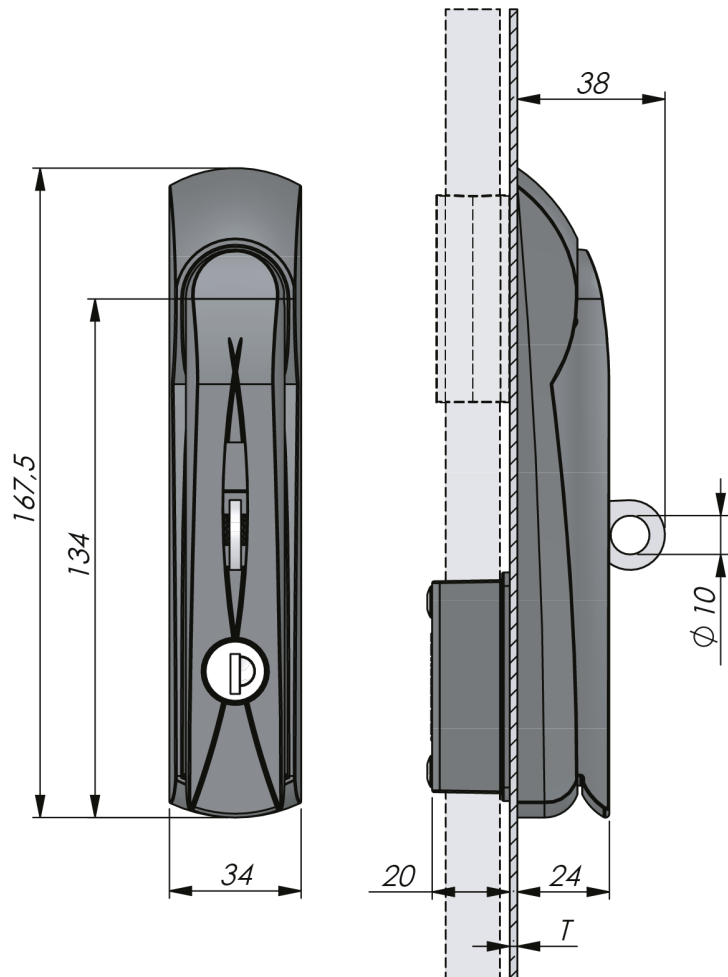
**Cylinder:** Zinc die cast, stainless steel 304 cap and dust shutter  
**Handle:** Zinc die cast, black coated or fibre glass reinforced polyamide (PA6GF30)  
**Padlock loop:** Stainless steel 304  
**Pivot shaft:** Zinc die cast, zinc plated

## RELATED PRODUCTS

**Similar products:** 1-002.11  
**Rod latch systems:** 1-008.04, 1-008.05, 1-008.13, 1-008.21, 1-008.25, 1-008.07  
 Use the Index Code at [industrilas.com](http://industrilas.com)

## TESTS & STANDARDS

**Cutout:** Version C  
**Cylinder information:** Master key system on request  
**Standards:** IP66, NEMA 4



**A product number is created by combining the figures in each column (AAAAAAABC-DDDD)**

AAAAAAA	Material	B Door thickness T	C PDL	DDDD	Cylinder
1216118	Handle zinc / dish PA6	1 0,8-1,5 mm	0 No	C21S	Keyed alike IL101
1216418	Handle zinc / dish zinc	2 1,6-2,5 mm	1 Yes	C22S	Keyed to differ*
1250118	Handle PA6 / Dish PA6	3 2,6-3,5 mm		C23S	Keyed alike IL0333
				500S	No cylinder - blind plug

**PDL** = Spring loaded padlock loop retracts when handle is released.

